

Appendix A13

Combustion Turbine Generator

1-Q24-063-Application Documents

Canyon Peak Power Arapahoe County 1041/USR Application Q24-063

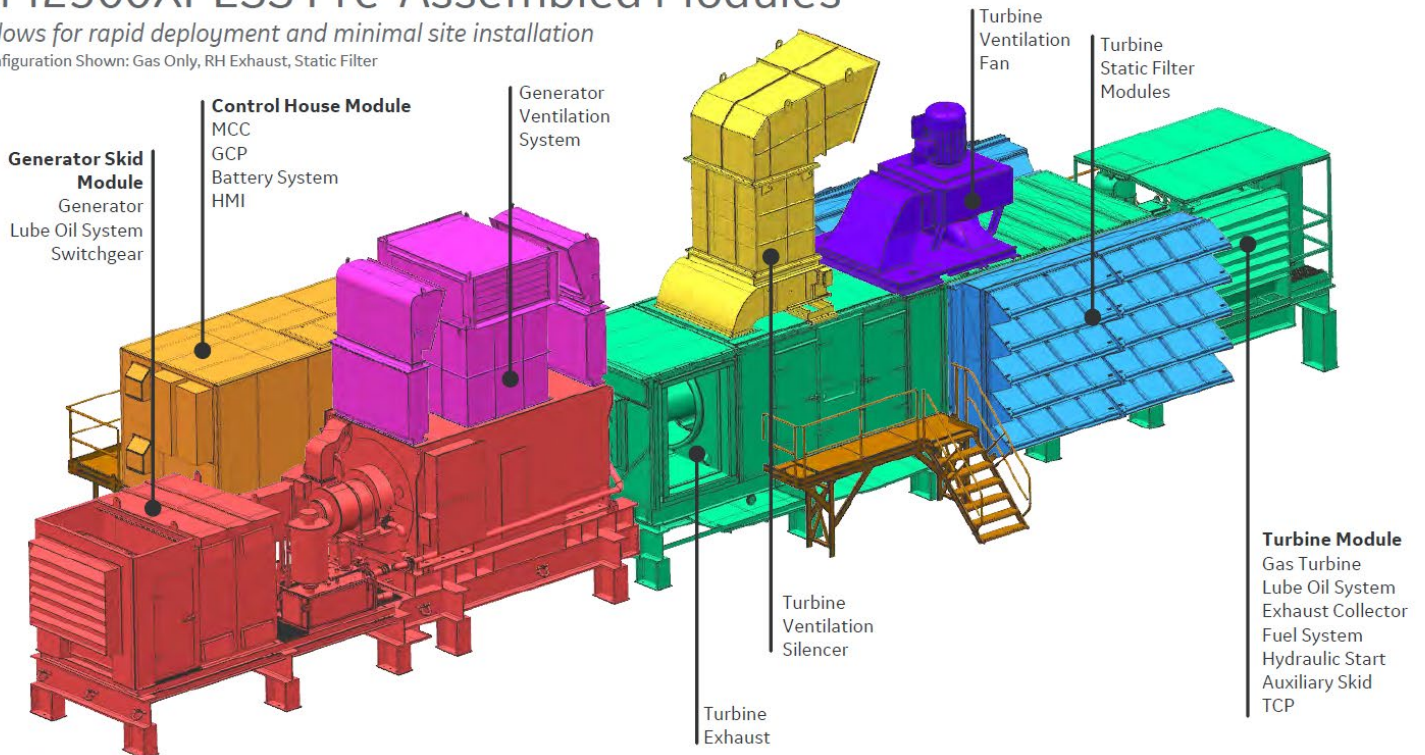
GE LM2500Xpress Combustion Turbine Generator (CTG)



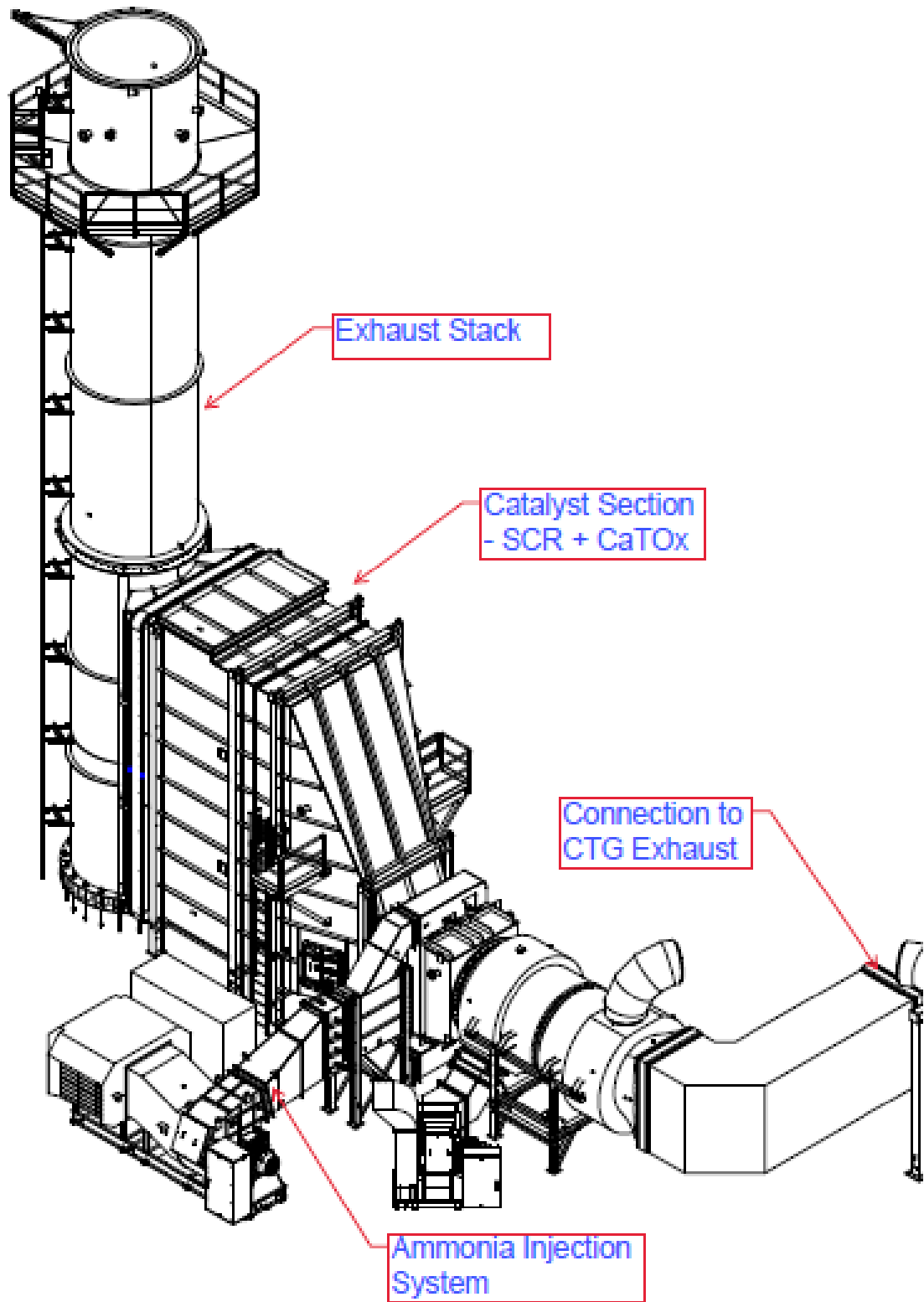
LM2500XPRESS Pre-Assembled Modules

Allows for rapid deployment and minimal site installation

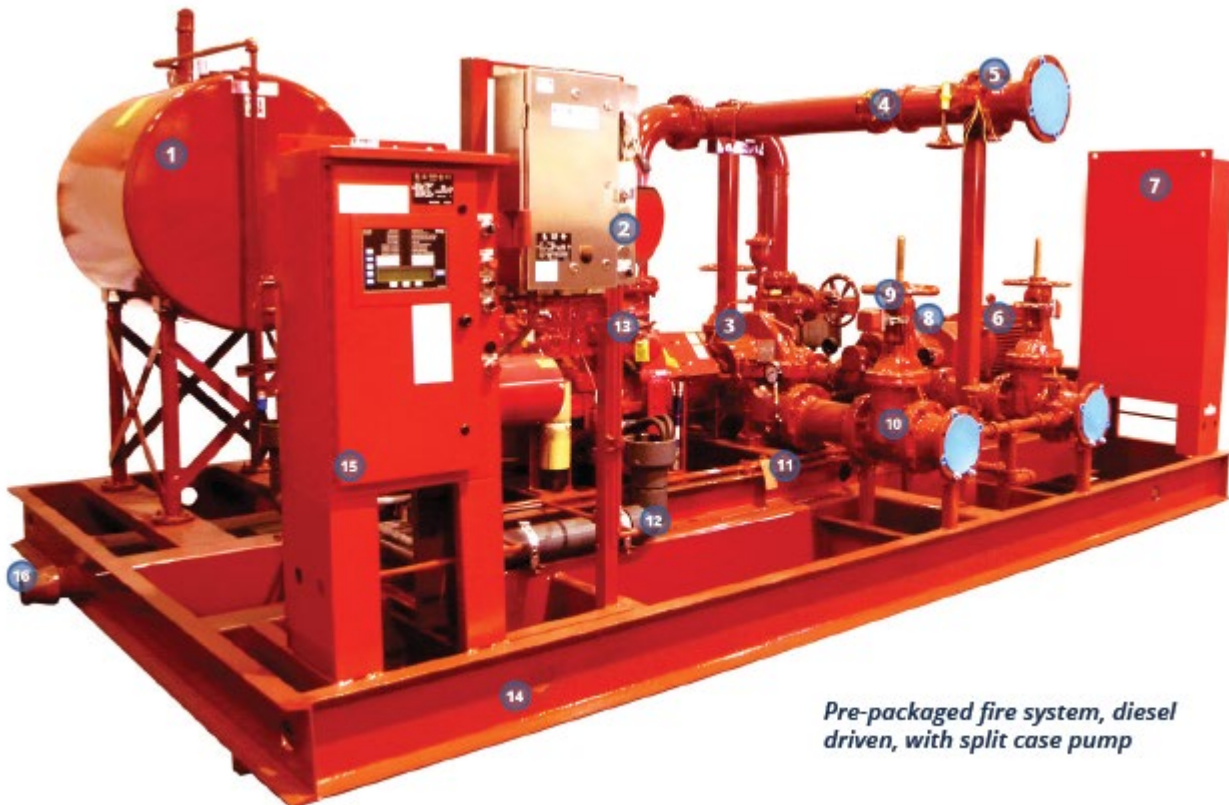
Configuration Shown: Gas Only, RH Exhaust, Static Filter



Exhaust Stack with Catalyst Section (SCR + CaTOX) – includes Ammonia Injection



Fire Water Pump Skid with Enclosure and Backup Diesel Fire Water Pump & Storage Tank



Pre-packaged fire system, diesel driven, with split case pump

Example of Generator Step-Up (GSU) Transformer – Foundation with Secondary Containment

